



### Fabric Options

#### High Density Polyethylene (HDPE) Shade Fabric (standard)

- Heavy duty professional grade architectural shade fabric
- Made from UV stabilized HDPE monofilament and tape yarns
- Specialized lock stitch knit for more air movement
- Constructed to block up to 98.8% of harmful UV sun rays
- Heat set for ease of fabrication and to limit shrinkage
- Recyclable, tear resistant and will not crack, rot or fade
- 10 year manufacturer's limited warranty against UV degradation
- Sewn together using Gore® Tenara® sewing thread which does not deteriorate from exposure to the elements or UV radiation
- Also available with flame retardant

#### Water Resistant Fabric (optional)

- Material made from a solution dyed fiber
- Outstanding mold and mildew resistance
- Printable, recyclable, UV resistant
- Meets a wide variety of fire codes for flame retardancy
- 5 year manufacturer's limited warranty against UV degradation

#### Vinyl Fabric (optional)

- Year round fabric for permanent waterproof structures
- Simplified cleaning
- Printable
- Smooth surface does not allow dirt to become trapped
- High tenacity polyester weave with (6) mil both sides top coat of PVC
- Meets a wide variety of fire codes for flame retardancy
- 8 year manufacturer's limited warranty against UV degradation



### Frame Finish

- Coated with Poli-5000® TGIC super-durable powder & epoxy primer
- Powder Coat Institute (PCI) 4000 certified
- Excellent outdoor durability and fade resistance
- Withstands harsh environments
- Powder coated exposed fasteners

### Description

- Curved column with single truss
- Available in single or group configurations

### Sizes

- 10', 12', 14' and 16'
- Can be combined in different sizes

# poligon<sup>®</sup>

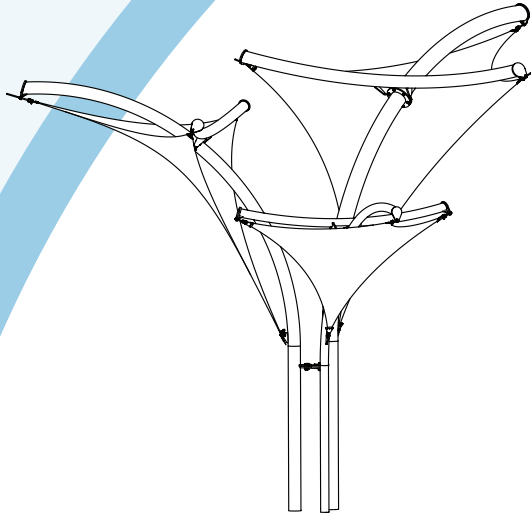
FABRIC

4240 North 136th Avenue • Holland, MI 49424

T- 616.399.1963 • F- 616.399.9123 • E- info@poligon.com

WWW.POLIGONFABRIC.COM

# Kite IKTE



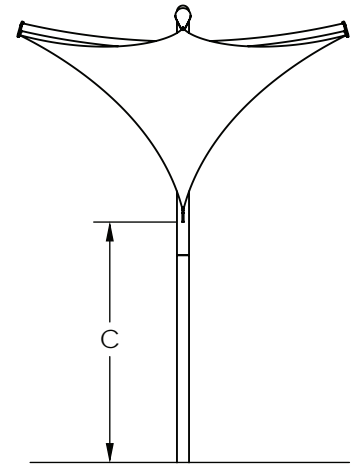
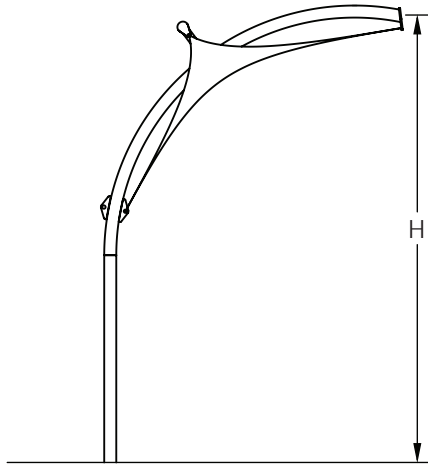
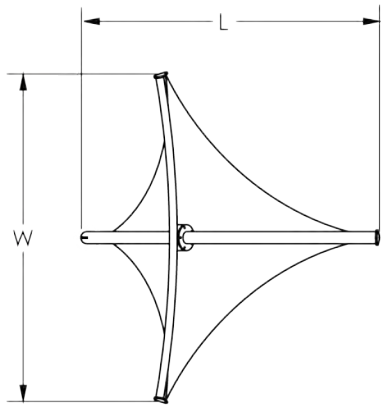
Suggested Sizes*	10	12	14	16
Width (W)	10'	12'	14'	16'
Length (L)	9'	11'	13'	14'
Height (H)	14'-1"	16'-8"	19'-2"	21'-9"
Clearance (C)	7'-6"	7'-6"	7'-6"	8'
Shaded Area	38'	57'	85'	112'

Additional sizes available in 1' increments

\*Custom configurations available, contact your local sales representative to learn more.

### Options available:

- Type of fabric
- Change in clearance height
- Electrical cut-outs



## Fabric + Steel

A wide variety of steel and fabric colors can be specified. To request samples, contact us at [info@poligon.com](mailto:info@poligon.com)

